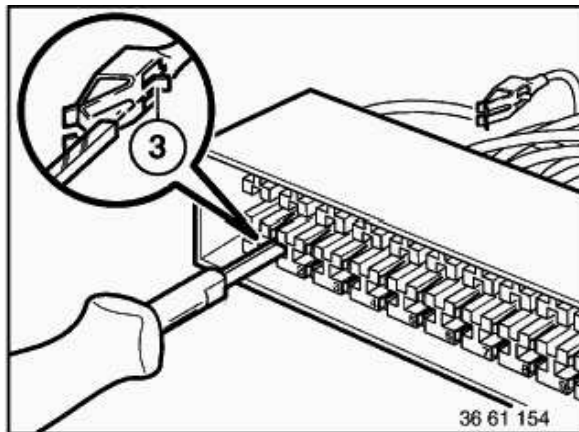


Pull relevant fuse out of fuse block (1).

*Note:*

Mark positions when removing fuses.

Pull locking slide (2) out of fuse block (1) as far as it will go.



With special tool 61 1 136 or 61 1 137 (ejector), press back arrester hook (3) of appropriate contact and pull out cable.