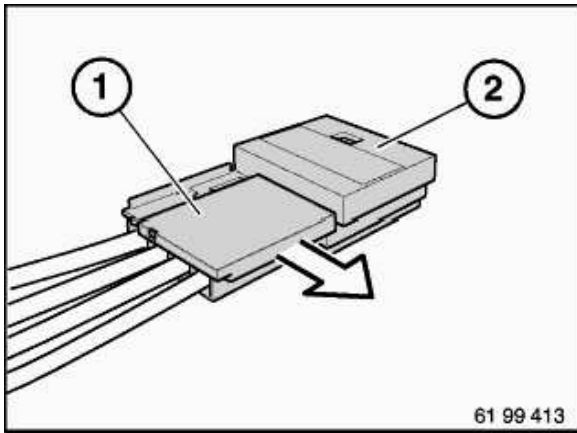
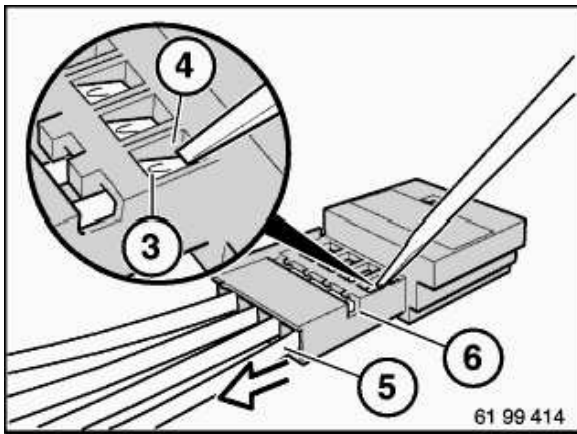


Pull connector (1) (slide) off contact carrier (2).



Hold down arrester hook (3) of defective contact and pull cable and contact up to secondary lock (6).



Hold down arrester hook once again in secondary lock and pull cable and contact completely out of contact carrier.

