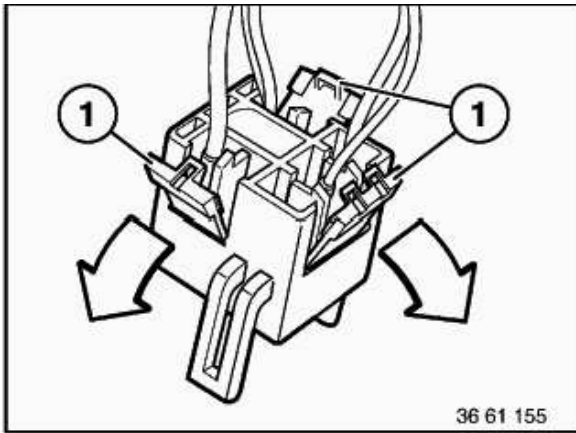


Unlock locking flap (1) of corresponding cable.



With special tool 61 1 136 or 61 1 137 (ejector), press back arrester hook (2) of appropriate contact and pull out cable.

