

Note:

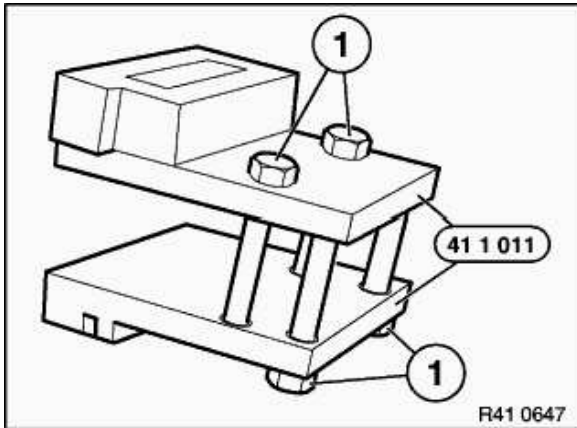
If the embossed vehicle number is removed during repair work, it must be re-embossed.

Assemble special tool 41 1 001.

Insert screws (2) without continuous thread from above.

Insert screws (1) with continuous thread from below.

Screw in screws just far enough to enable spacers to be inserted later.

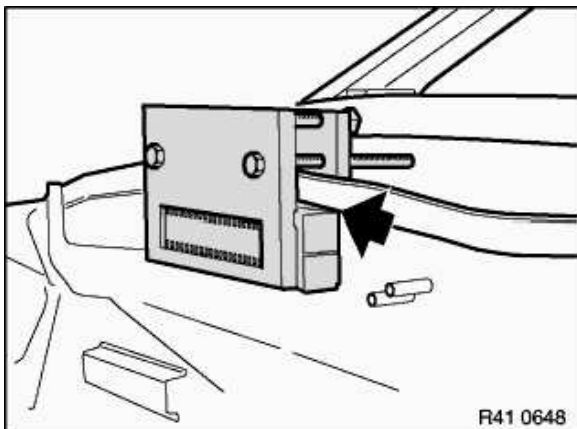


Attach special tool 41 1 001 on surface for VIN (chassis) number.

Caution!

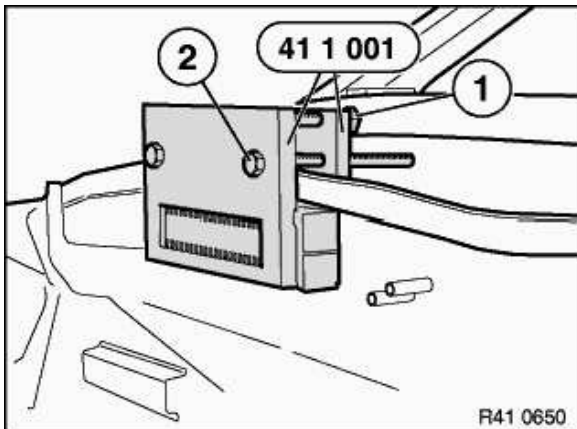
Do not damage the sheet metal fold.

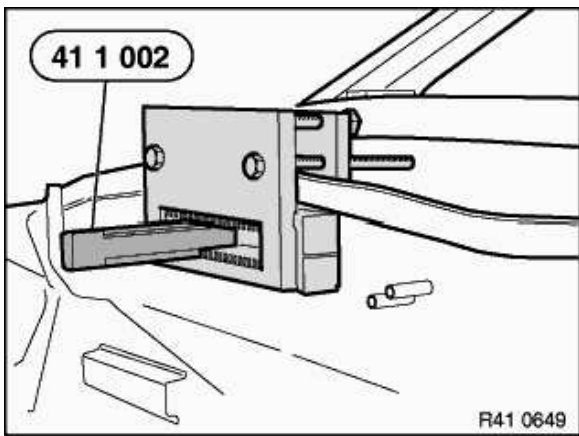
Make sure that chassis number is correctly positioned in cover recess.



Align special tool 41 1 001 parallel to screws (1).

Tighten screws (2).





Insert punch numbers 41 1 002 individually in special tool 41 1 001 and emboss the chassis number.

Note:

Stamp a "+" in front of and behind the chassis number instead of the BMW emblem for clear identification of component or body replacements by a workshop.