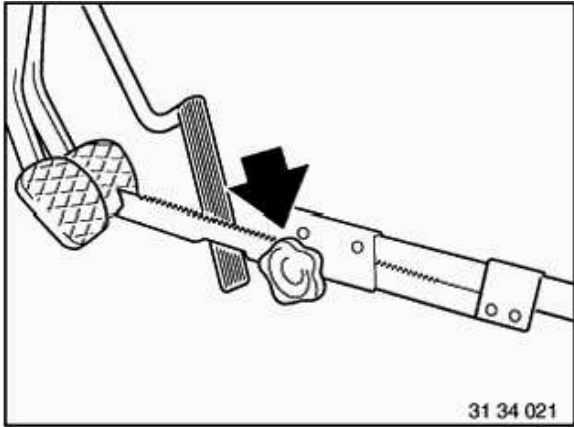


Note:

Remove brake shoes,
refer to 34 21 530

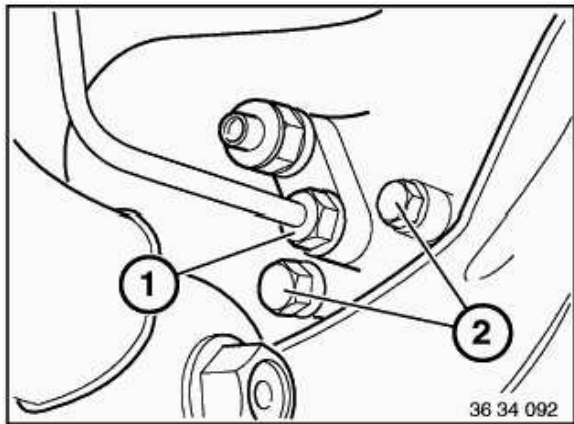
Apply pedal prop and depress brake pedal slightly. This prevents brake fluid from escaping from expansion tank after brake pipes have been disconnected (which would enable air to enter the braking system).



Unscrew brake pipe (1) and plug with a rubber cap or nipple. Unscrew bolts (2) and remove wheel-brake cylinder.

Installation:

Tightening torque,
refer to Technical Data



Bleed brakes.

Vehicle without ABS,
refer to 34 00 046

Vehicle with ABS,
refer to 34 00 047