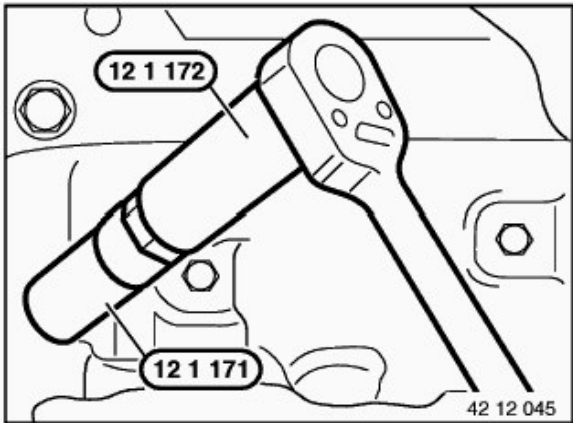


Switch off ignition.
Remove ignition coils.



Unscrew and remove spark plugs with special tool 12 1 171.

Installation:

Using special tool 12 1 171 in conjunction with special tool 12 1 172, tighten spark plugs.

If special tool 12 1 172 is not used, observe tightening torque, tightening torque, 12 12 1AZ.