

The 2006 BMW Z4



Roadster 3.0i
Roadster 3.0si
Coupe 3.0si

The Ultimate
Driving Machine®





**Today's forecast:
bright, brisk and
very cool.**



It's expected to produce gusts of exhilaration.

There's no ceiling to the high you'll experience.



Inside, it's airy, pleasant and climate-controlled.





Spring into action – adventure's just up the road.

Everything else is a blur.





Here's what other drivers see. But rarely for long.



The newest sports arena.

■ Standard equipment □ Optional equipment

Z4 Coupe wheels



□ 18 x 8.0 front/18 x 8.5 rear Star Spoke (Style 203) light-alloy wheels and 225/40R-18 front, 255/35R-18 rear run-flat¹ performance tires.² (included in optional Z4 Coupe 3.0si Sport Package)



■ 17 x 8.0 Turbine (Style 200) light-alloy wheels and 225/45R-17 run-flat¹ performance tires.² (Z4 Coupe 3.0si)

■ Standard equipment □ Optional equipment

Z4 Roadster wheels



□ 18 x 8.0 front/18 x 8.5 rear Bolted Star Spoke (Style 108) light-alloy wheels and 225/40R-18 front, 255/35R-18 rear run-flat¹ performance tires.²
(included in optional Z4 Roadster 3.0si Sport Package)



■ 17 x 8.0 Turbine (Style 200) light-alloy wheels and 225/45R-17 run-flat¹ performance tires.² (Z4 Roadster 3.0i)



■ 17 x 8.0 Turbine (Style 201) light-alloy wheels and 225/45R-17 run-flat¹ performance tires.² (Z4 Roadster 3.0si)



□ 17 x 8.0 front/17 x 8.5 rear Star Spoke (Style 105) light-alloy wheels and 225/45R-17 front, 245/40R-17 rear run-flat¹ performance tires.² (included in optional Z4 Roadster 3.0i Sport Package)

¹ Z4 Roadsters and Z4 Coupe with run-flat tires are not equipped with a spare tire and wheel.

² Performance tires not recommended for driving in snow and ice conditions.

Due to low-profile tires, please note: wheels, tires and suspension parts are more susceptible to road hazard and consequential damages.

Combinations

Materials	Leatherette ¹		Active Sport Cloth/Leather ²		High Performance Leather ³			Extended High Performance Leather ⁴		
	Black	Montego Blue	Black	Beige	Dream Red	Black	Beige	Dream Red	Black	
Exterior colors										
300 Alpine White Non-metallic ⁵	●		●	◆		●	◆		●	
314 Bright Red Non-metallic ⁵	●		●	◆◆		●	◆◆		●	
668 Jet Black Non-metallic ⁵	◆◆		●	◆◆	●	◆◆	◆◆	●	◆◆	
354 Titanium Silver Metallic ⁶	●	●■	●	●	●	●	●	●	●	
A08 Silver Gray Metallic ⁶	●	●■	●	●	●■	●	●	●■	●	
A51 Montego Blue Metallic ⁶	●	●■	●	◆◆		●	◆◆		●	
A35 Monaco Blue Metallic ⁶	●			◆◆		●	◆◆		●	
470 Flamenco Red Metallic ⁶	●			◆◆		●	◆◆		●	
A43 Deep Green Metallic ⁶	●					●			●	
475 Black Sapphire Metallic ⁶	●		●	◆◆	●	◆◆	◆◆	●	◆◆	
Interior trim										
4BM Graphite Finish ⁷										
4AD Brushed Light Aluminum ⁸										
437 Light Poplar Grain Wood ⁹										
438 Dark Poplar Grain Wood ¹⁰										

¹ Leatherette: Standard in Z4 Roadster 3.0i. Not available in Z4 Roadster 3.0si and Coupe 3.0si.

² Active Sport Cloth/Leather: Optional in Z4 Roadster 3.0i. Not available in Z4 Roadster 3.0si and Coupe 3.0si.

³ High Performance Leather: Standard in Z4 Roadster 3.0si and Coupe 3.0si. Optional in Z4 Roadster 3.0i.

⁴ Extended High Performance Leather: Optional in Z4 Roadster 3.0si and Coupe 3.0si. Not available in Z4 Roadster 3.0i.

⁵ Non-metallic exterior paint: Standard on Z4 Roadster 3.0i and Z4 Roadster 3.0si and Coupe 3.0si.

⁶ Metallic exterior paint: Optional on Z4 Roadster 3.0i and Z4 Roadster 3.0si and Coupe 3.0si.

⁷ Graphite Finish interior trim: Standard in Z4 Roadster 3.0i with Leatherette upholstery. Not available in Z4 Roadster 3.0si and Coupe 3.0si.

⁸ Brushed Light Aluminum interior trim: Standard in Z4 Roadster 3.0si and Coupe 3.0si, and in Z4 Roadster 3.0i with optional Active Sport Cloth/Leather or Leather upholstery. Not available with Leatherette upholstery.

⁹ Light Poplar Grain Wood interior trim: Optional in Z4 Roadster 3.0i, Z4 Roadster 3.0si and Coupe 3.0si. Not available with Leatherette upholstery.

¹⁰ Dark Poplar Grain Wood interior trim: Optional in Z4 Roadster 3.0i, Z4 Roadster 3.0si and Coupe 3.0si. Not available with Leatherette upholstery.

Z4 Roadster 3.0i and 3.0si softtop colors

● 388 Black (Standard)

■ 389 Gray (Optional; requires optional power softtop or Premium Package)

◆ 394 Dark Beige (Optional; requires optional power softtop or Premium Package)

Equipment

Performance and efficiency	Z4 Roadster 3.0i	Z4 Roadster 3.0si	Z4 Coupe 3.0si
3.0-liter dual overhead cam (DOHC), 24-valve inline 215-horsepower 6-cylinder engine with composite magnesium/aluminum engine block, Valvetronic, and Double-VANOS steplessly variable valve timing	●		
3.0-liter dual overhead cam (DOHC), 24-valve inline 255-horsepower 6-cylinder engine with composite magnesium/aluminum engine block, Valvetronic, and Double-VANOS steplessly variable valve timing		●	●
3-stage air intake manifold		●	●
Electronic throttle control	●	●	●
6-speed manual transmission	●	●	●
6-speed STEPTRONIC ¹ automatic transmission with Adaptive Transmission Control and steering-wheel-mounted manual shift paddles	○	○	○

Handling and braking	Z4 Roadster 3.0i	Z4 Roadster 3.0si	Z4 Coupe 3.0si
Dynamic Stability Control (DSC), including Brake Fade Compensation, Start-off Assistant, Brake Drying, and Brake Stand-by features, with Dynamic Traction Control (DTC)	●	●	●
Dynamic Driving Control (Sport Button) ²	□	□	□
Run-Flat Combination (RFC) wheel-tire system with Tire Pressure Warning ³	●	●	●
High-rigidity body/chassis unit with aluminum hood	●	●	●
Strut-type front suspension with forged-aluminum lower arms and hydraulic cushions	●	●	●
Central Link rear suspension with cast-aluminum upper transverse links	●	●	●
Acoustically decoupled final drive with hydraulic rear mount	●	●	●
Vehicle-speed-sensitive Electric Power Steering	●	●	●
4-wheel anti-lock disc brakes, ventilated front and rear, vacuum-assisted	●	●	●
Front and rear anti-roll (stabilizer) bars	●	●	●
Twin-tube gas-pressure shock absorbers	●	●	●
Sport suspension	□	□	□

- = Standard
- = Optional
- = Included in Sport Package
- ◇ = Included in Premium Package

¹ BMW's system of manual shift control for an automatic transmission.

² Dynamic Driving Control provides Normal and Sport settings for throttle, steering and (if vehicle is so equipped) STEPTRONIC transmission.

³ Z4 Roadsters and Z4 Coupe have run-flat tires; not equipped with a spare tire and wheel.

Equipment

Exterior and aerodynamics	Z4 Roadster 3.0i	Z4 Roadster 3.0si	Z4 Coupe 3.0si
17 x 8.0 Star Spoke (Style 200) light-alloy wheels and 225/45R-17 run-flat ³ performance tires ⁴	●		●
17 x 8.0 Turbine (Style 201) light-alloy wheels and 225/45R-17 run-flat ³ performance tires ⁴		●	
17 x 8.0 front/17 x 8.5 rear Star Spoke (Style 105) light-alloy wheels and 225/45R-17 front, 245/40R-17 rear run-flat ³ performance tires ⁴	□		
18 x 8.0 front/18 x 8.5 rear Bolted Star Spoke (Style 108) light-alloy wheels and 225/40R-18 front, 255/35R-18 rear run-flat ³ performance tires ⁴		□	
18 x 8.0 front/18 x 8.5 rear Star Spoke (Style 203) light-alloy wheels and 225/40R-18 front, 255/35R-18 rear run-flat ³ performance tires ⁴			□
Halogen high- and low-beam headlights	●	●	●
Xenon Headlights with auto-leveling	○	○	○◇
Foglights	●	●	●
Headlight washers	○	○	○
Heated windshield-washer jets	●	●	●
Heated outside mirrors	●	●	●
White side-turn indicator lenses behind BMW logo roundels	●	●	●
Metallic paint	○	○	○
Easy-to-operate manual softtop	●	●	
Fully automatic, power softtop	○◇	○◇	
Heated glass rear window	●	●	●

Instrumentation and controls	Z4 Roadster 3.0i	Z4 Roadster 3.0si	Z4 Coupe 3.0si
Electronic analog instrumentation	●	●	●
LCD main and trip odometers	●	●	●
Service Interval Indicator with miles-to-service readout	●	●	●
4-function on-board computer	○◇	●	●
Outside temperature display	●	●	●
Power windows with "one-touch" push-pull open/close for driver	●	●	●
Manual climate control with micro-filter ventilation	●		
Automatic climate control with activated-charcoal micro-filter ventilation and automatic recirculation control	◇	●	●
Rain-sensing windshield wipers and Automatic headlight control	●	●	●
BMW on-board navigation system	○	○	○

⁴Performance tires not recommended for driving in snow and ice conditions. Due to low-profile tires, please note: wheels, tires and suspension parts are more susceptible to road hazard and consequential damages.

Equipment

Comfort and convenience	Z4 Roadster 3.0i	Z4 Roadster 3.0si	Z4 Coupe 3.0si
Remote entry with multi-function remote control, including remote trunk or hatchback release	●	●	●
Courtesy lights with fade-in/fade-out feature, and actuation from remote control		●	●
Cruise control	●	●	●
Glove compartment; storage space in doors and behind seats	●	●	●
Elastic nets on passenger side of center tunnel and on back of each seat (Storage Package)	◇	◇	◇
Dual power outside mirrors	●	●	●
Automatic-dimming interior and exterior mirrors	◇	◇	◇
6-way manually adjustable sport seats	●	●	●
8-way power seats with 3-way driver's-seat memory	○◇	○◇	○◇
M Sport seats with pronounced side bolsters for lateral support ⁵	○	○	○
Leather-covered multi-function sport steering wheel	●	●	●
Center arm pad	○ ⁶	●	●
3-stage, thermostatically controlled heated seats	○	○	○
Dual cupholders	●	●	●
Electric interior trunk or hatchback release	●	●	●
Variable softtop compartment	●	●	
Hardtop prep (required for accessory hardtop installation)	○	○	

Interior Seating and Trim	Z4 Roadster 3.0i	Z4 Roadster 3.0si	Z4 Coupe 3.0si
Leatherette upholstery	●		
Active Sport Cloth/Leather upholstery	○		
High Performance Leather upholstery	○	●	●
Extended High Performance Leather upholstery		○	○
Graphite Finish Interior Trim	● ⁷		
Brushed Light Aluminum Interior Trim	● ⁸	●	●
Light Poplar Grain Wood Interior Trim ⁹	○	○	○
Dark Poplar Grain Wood Interior Trim ⁹	○	○	○

- = Standard
- = Optional
- = Included in Sport Package
- ◇ = Included in Premium Package
- △ = BMW center-installed accessory

⁵ Requires Sport Package. Not available with Leatherette upholstery.

⁶ Included with optional Active Sport Cloth/Leather or High Performance Leather upholstery.

⁷ Standard in Z4 Roadster 3.0i with Leatherette upholstery.

⁸ Standard in Z4 Roadster 3.0i with optional Active Sport Cloth/Leather or High Performance Leather upholstery.

⁹ Not available with Leatherette upholstery.

Equipment

Audio	Z4 Roadster 3.0i	Z4 Roadster 3.0si	Z4 Coupe 3.0si
Anti-theft AM/FM/CD audio system with Radio Data System, MP3 capabilities and 10 speakers	●		
THX™ Certified premium audio system with upgraded audio power and MP3 capabilities, Carver technology and 10 audiophile-quality speakers, including 2 subwoofers		●	●
Pre-wiring for CD changer and alarm system	●	●	●
iPod Seamless Integrated System ¹⁰	△	△	△
SIRIUS Satellite Radio ¹⁰	△	△	△

Safety and security	Z4 Roadster 3.0i	Z4 Roadster 3.0si	Z4 Coupe 3.0si
Dual-airbag Supplementary Restraint System with 2-stage "smart" airbags	●	●	●
Automatic safety-belt pretensioners and force limiters	●	●	●
Isofix attachment of child-restraint safety seat	●	●	●
Active Knee Protection	●	●	●
Disable switch for passenger's-side airbag with indicator light	●	●	●
Side-impact airbags	●	●	●
Cornering Brake Control (CBC)	●	●	●
Rollover Protection	●	●	
Battery Safety Terminal and automatic fuel-pump shutoff upon severe accident impact	●	●	●
Intelligent Safety and Information System (ISIS) for deployment of safety systems	●	●	●
Central locking system with double-lock anti-theft feature, selective unlocking and interior locking switch	●	●	●
Coded Driveaway Protection	●	●	●
Adaptive Brake Lights	●	●	●
BMW Assist™ ¹¹ with Bluetooth® wireless technology	○◇	○◇	○◇

BMW Maintenance Program	Z4 Roadster 3.0i	Z4 Roadster 3.0si	Z4 Coupe 3.0si
BMW Maintenance Program ¹²	●	●	●

¹⁰See your authorized BMW center for details and limitations when ordering Aftersales/Accessories listed.

¹¹Please see your authorized BMW center for limitations and rules on subscription services required with BMW Assist.

¹²BMW Maintenance Program covers all factory-recommended maintenance on all new MY 2004 and later BMW vehicles, as determined by the Service Interval Indicator, for 4 years or 50,000 miles, whichever comes first. Exclusions from coverage: gasoline, gasoline additives, windshield washer fluids and additives, lights, tires, wheels, wheel alignment, tire balancing and rotation. All work must be performed by an authorized BMW center. See the Service and Warranty Information booklet for more specific terms, conditions and limitations. Further information can be obtained from your local authorized BMW center.

Equipment

Premium Packages	Z4 Roadster 3.0i	Z4 Roadster 3.0si	Z4 Coupe 3.0si
Fully automatic, power softtop	◇	◇	
8-way power seats with 3-way driver's-seat memory	◇	◇	◇
BMW Assist ¹³ with Bluetooth wireless technology	◇	◇	◇
Automatic-dimming interior and exterior mirrors	◇	◇	◇
Elastic nets on passenger side of center tunnel and on back of each seat (Storage Package)	◇	◇	◇
Automatic climate control with activated-charcoal micro-filter ventilation and automatic recirculation control	◇	●	●
4-function on-board computer	◇	●	●
Xenon Headlights with auto-leveling			◇

Sport Packages	Z4 Roadster 3.0i	Z4 Roadster 3.0si	Z4 Coupe 3.0si
Dynamic Driving Control (Sport Button) ¹⁴	□	□	□
17 x 8.0 front/17 x 8.5 rear Star Spoke (Style 105) light-alloy wheels and 225/45R-17 front, 245/40R-17 rear run-flat ¹⁵ performance tires ¹⁶	□		
18 x 8.0 front/18 x 8.5 rear Bolted Star Spoke (Style 108) light-alloy wheels and 225/40R-18 front, 255/35R-18 rear run-flat ¹⁵ performance tires ¹⁶		□	
18 x 8.0 front/18 x 8.5 rear Star Spoke (Style 203) light-alloy wheels and 225/40R-18 front, 255/35R-18 rear run-flat ¹⁵ performance tires ¹⁶			□
Sport suspension	□	□	□

- = Standard
- = Optional
- = Included in Sport Package
- ◇ = Included in Premium Package

¹³Please see your authorized BMW center for limitations and rules on subscription services required with BMW Assist.

¹⁴Dynamic Driving Control provides Normal and Sport settings for throttle, steering and (if vehicle is so equipped) STEPTRONIC transmission.

¹⁵Z4 Roadsters and Z4 Coupe have run-flat tires; not equipped with a spare tire and wheel.

¹⁶Due to low-profile tires, please note: wheels, tires and suspension parts are more susceptible to road hazard and consequential damages. Performance tires not recommended for driving in snow and ice conditions.

Technical data

Dimensions		Z4 Roadster 3.0i	Z4 Roadster 3.0si	Z4 Coupe 3.0si
Vehicle length/width/height	in	161.1/70.1/51.1	161.1/70.1/51.1	161.9/70.1/49.9
Track, front/rear	in	58.0/60.0	58.0/60.0	58.0/60.0
Wheelbase	in	98.2	98.2	98.2

Weight		Z4 Roadster 3.0i	Z4 Roadster 3.0si	Z4 Coupe 3.0si
Unladen	lbs	3020 (3086)	3086 (3131)	3108 (3156)
Weight distribution, front/rear				
Manual transmission	%	49.9/50.1	49.9/50.1	49.7/50.3
Automatic transmission	%	50.6/49.4	50.6/49.46	50.3/49.7

Engine		Z4 Roadster 3.0i	Z4 Roadster 3.0si	Z4 Coupe 3.0si
Liter/type/valves per cylinder		3.0/DOHC inline 6/4	3.0/DOHC inline 6/4	3.0/DOHC inline 6/4
Bore/stroke	in	3.35/3.46	3.35/3.46	3.35/3.46
Nominal output/rpm	hp	215/6250	255/6600	255/6600
Max torque/rpm	lb-ft	185/2750	220/2750	220/2750

Performance		Z4 Roadster 3.0i	Z4 Roadster 3.0si	Z4 Coupe 3.0si
Drag coefficient	C _d	0.36	0.36	0.34
Top speed ¹	mph	149 (149)	155 (155)	155 (155)
Acceleration – 0-60 ²	sec	6.2 (6.6)	5.6 (5.7)	5.6 (5.7)

Fuel consumption ³		Z4 Roadster 3.0i	Z4 Roadster 3.0si	Z4 Coupe 3.0si
Manual transmission	city/highway	20/30	20/30	20/30
Automatic transmission	city/highway	21/29	21/29	21/29
Fuel capacity	U.S. gal	14.5	14.5	14.5

Wheels		Z4 Roadster 3.0i	Z4 Roadster 3.0si	Z4 Coupe 3.0si
Standard – Light-alloy wheel dimensions	front	17 x 8.0	17 x 8.0	17 x 8.0
	rear	17 x 8.0	17 x 8.0	17 x 8.0
Run-flat performance tires ⁴	front/rear	225/45R-17	225/45R-17	225/45R-17

Sport Package – Light-alloy wheel dimensions	front	17 x 8.0	18 x 8.0	18 x 8.0
	rear	17 x 8.5	18 x 8.5	18 x 8.5
Run-flat performance tires ⁴	front	225/45R-17	225/40R-18	225/40R-18
	rear	245/40R-17	255/35R-18	255/35R-18

Figures in () apply to models with 6-speed automatic transmission.

¹Top speed limited electronically.

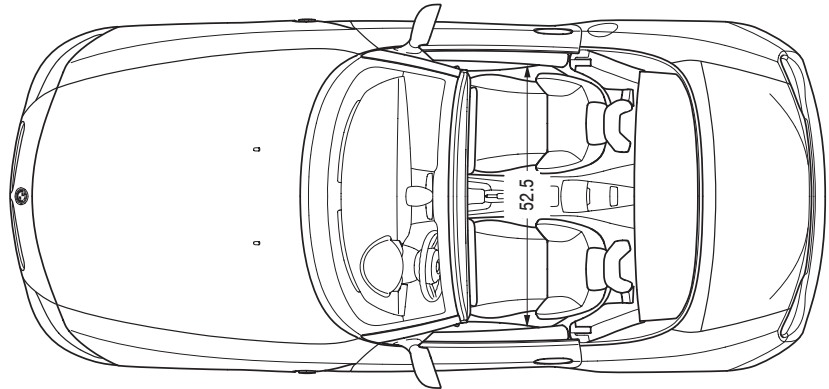
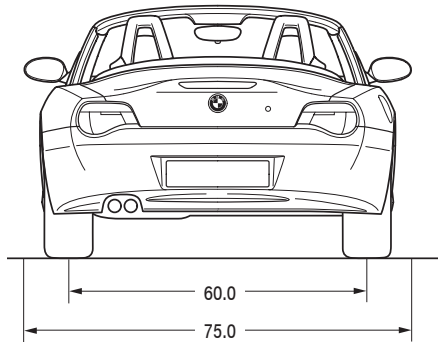
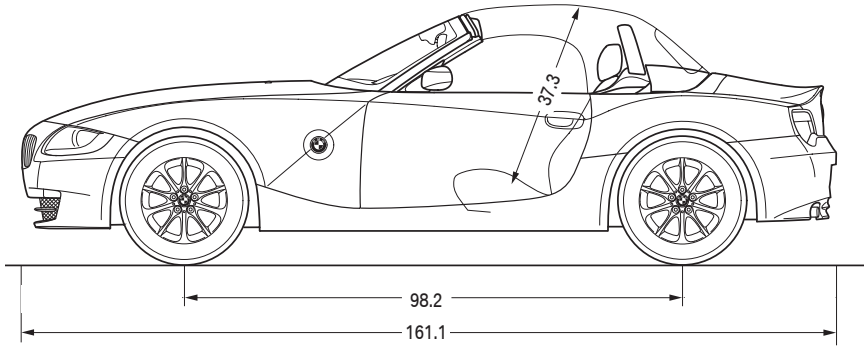
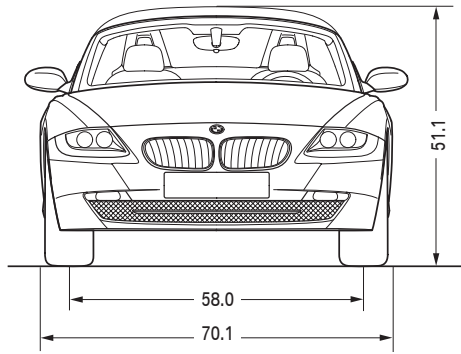
²BMW test results. Actual acceleration results may vary depending on specification of vehicle, road and environmental conditions, testing procedures and driving style. These results should be used for comparison only and verification should not be attempted on public roads. BMW urges you to obey all posted speed laws and always wear safety belts.

³EPA-estimated figures are for comparison purposes only. Your actual mileage will vary, depending on speed, driving habits, trip length and driving conditions; actual mileage may be lower.

⁴Z4 Roadsters and Z4 Coupe have run-flat tires; not equipped with a spare tire and wheel.

Performance tires not recommended for driving in snow and ice conditions. Due to low-profile tires, please note: wheels, tires and suspension parts are more susceptible to road hazard and consequential damages.

BMW Z4 Roadster

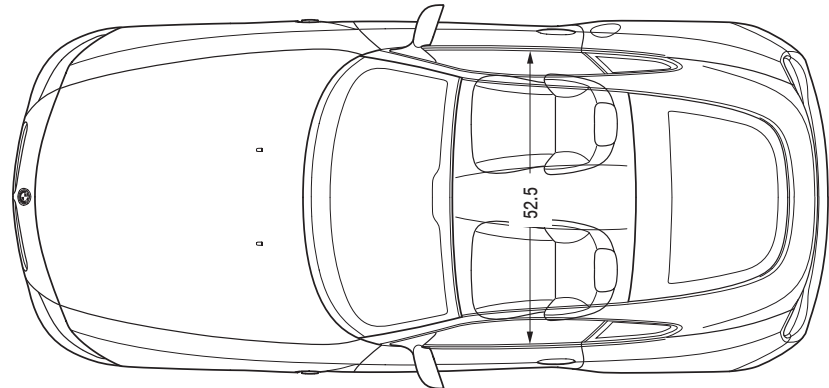
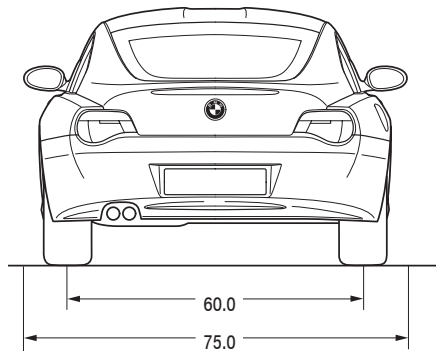
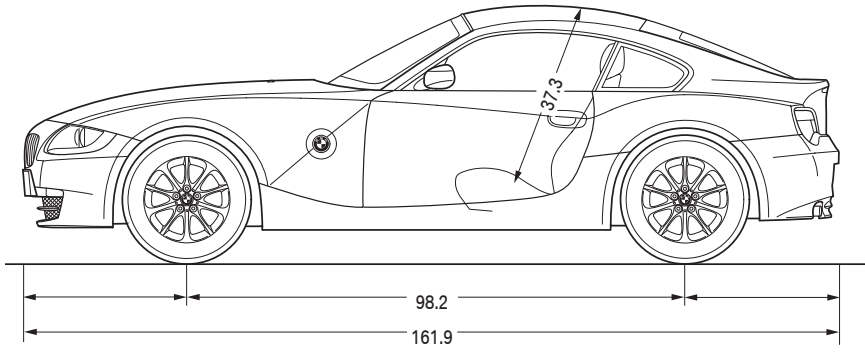
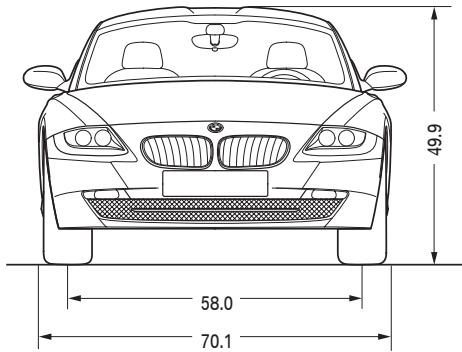


All dimensions shown in inches.

U.S. Distributor: BMW of North America, LLC, Woodcliff Lake, NJ 07677. All illustrations and specifications contained in this brochure are based on the latest product information available at the time of printing. BMW reserves the right to make changes at any time, without notice, in colors, materials, equipment, specifications and models. BMW may, subject to legal requirements, determine the Model Year designation of its vehicles. The Model Year designation on any particular model may be longer or shorter than 12 months. Some vehicles pictured may contain non-U.S. equipment. Some models may be shown with optional equipment. While BMW NA makes diligent efforts to provide accurate information in this brochure, there is no guarantee or warranty of accuracy. Furthermore, we do not assume any liability for the accuracy or completeness of information presented. This brochure shall not be used or relied upon as a substitute for information that is available from your BMW center. Further information can be obtained from your authorized BMW center or bmwusa.com.

©2006 BMW of North America, LLC. Not to be reproduced wholly or in part without written permission of BMW NA. The BMW name and logo are registered trademarks.

BMW Z4 Coupe



All dimensions shown in inches.

BMW and the environment.

BMW is a strong proponent of the environment and social responsibility. It is important to manage the earth's resources responsibly, and not jeopardize the needs of future generations. That is why BMW makes vehicles that minimize adverse environmental impact, from production (pollution prevention and waste minimization at the plant) through owner use (low emissions) to eventual disposal (recyclable components).

This effort has been recognized worldwide, and as a result, we are pleased to have received numerous environmental honors. In the U.S., for example, the Environmental Protection Agency accepted BMW's Spartanburg, SC production and manufacturing facility as a charter member of the agency's National Environmental Performance Track – and the only automotive company to be included. Internationally, BMW AG – the parent company of both BMW of North America and the Spartanburg plant – was the first automotive company to be represented on the Dow Jones Sustainability Group Index, and has remained on the Index ever since. At BMW, we strive for high performance in everything we do.